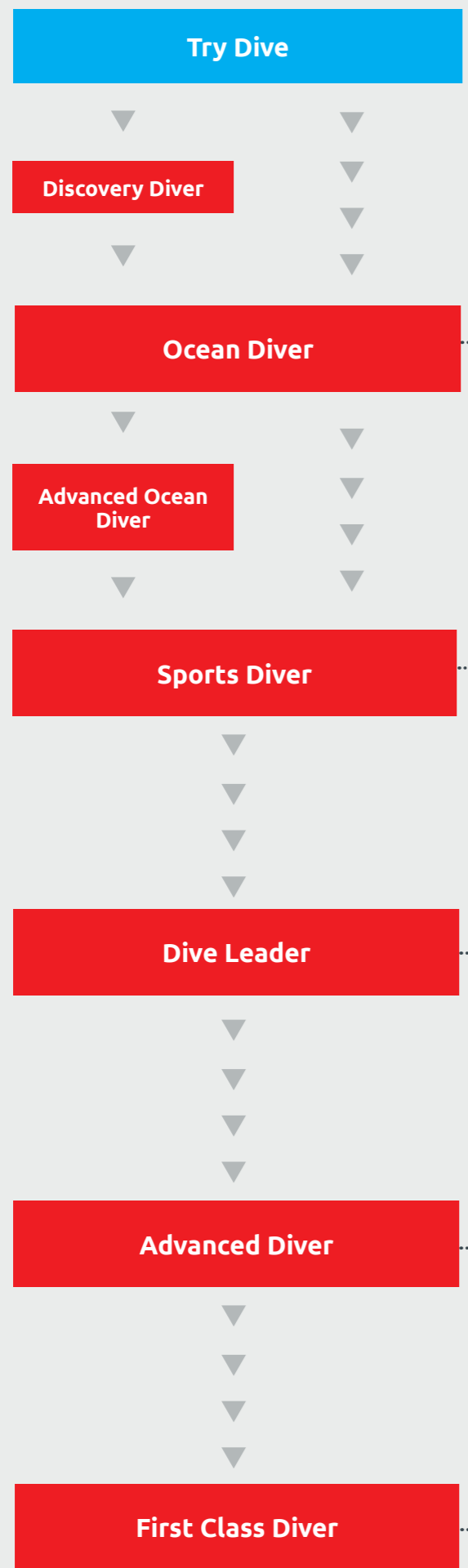


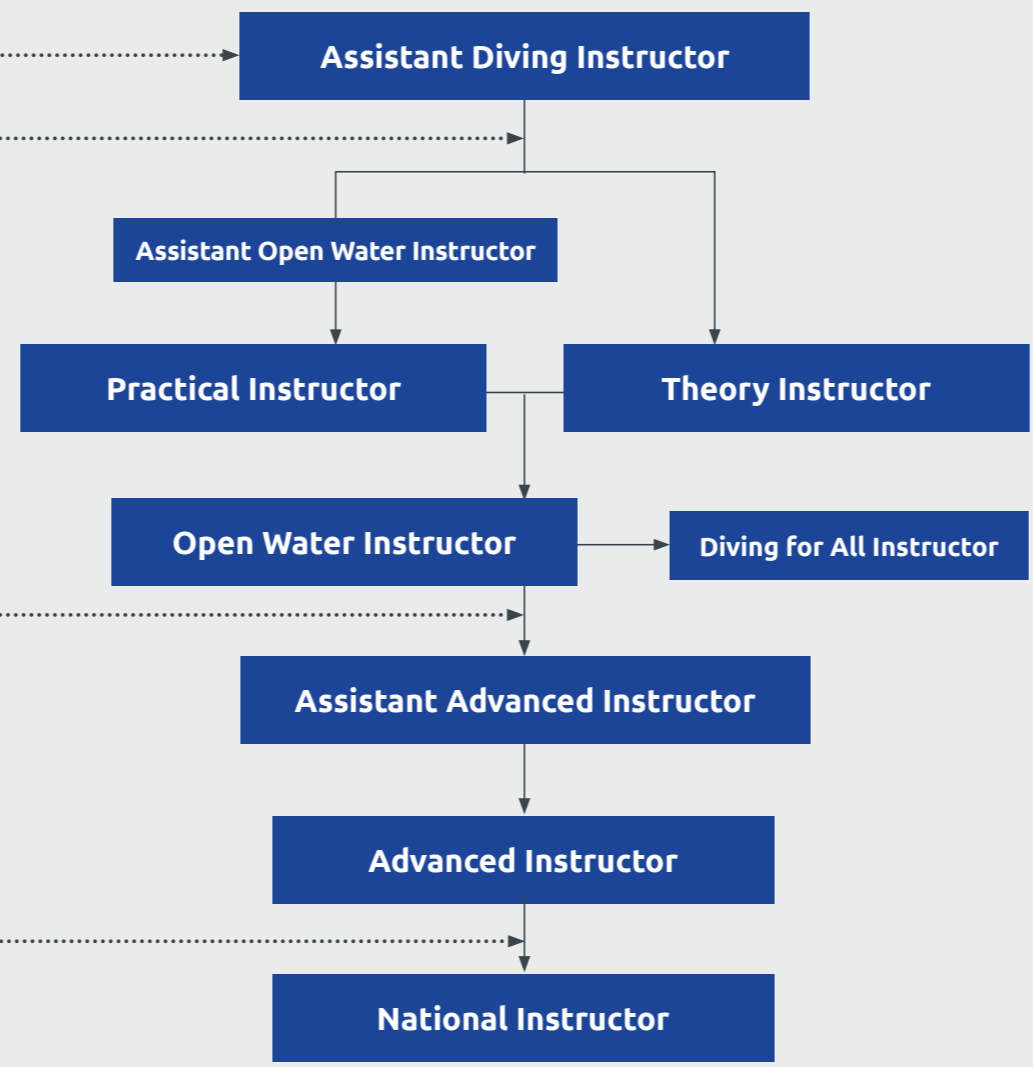
Diver training progression

Diver Training Programme

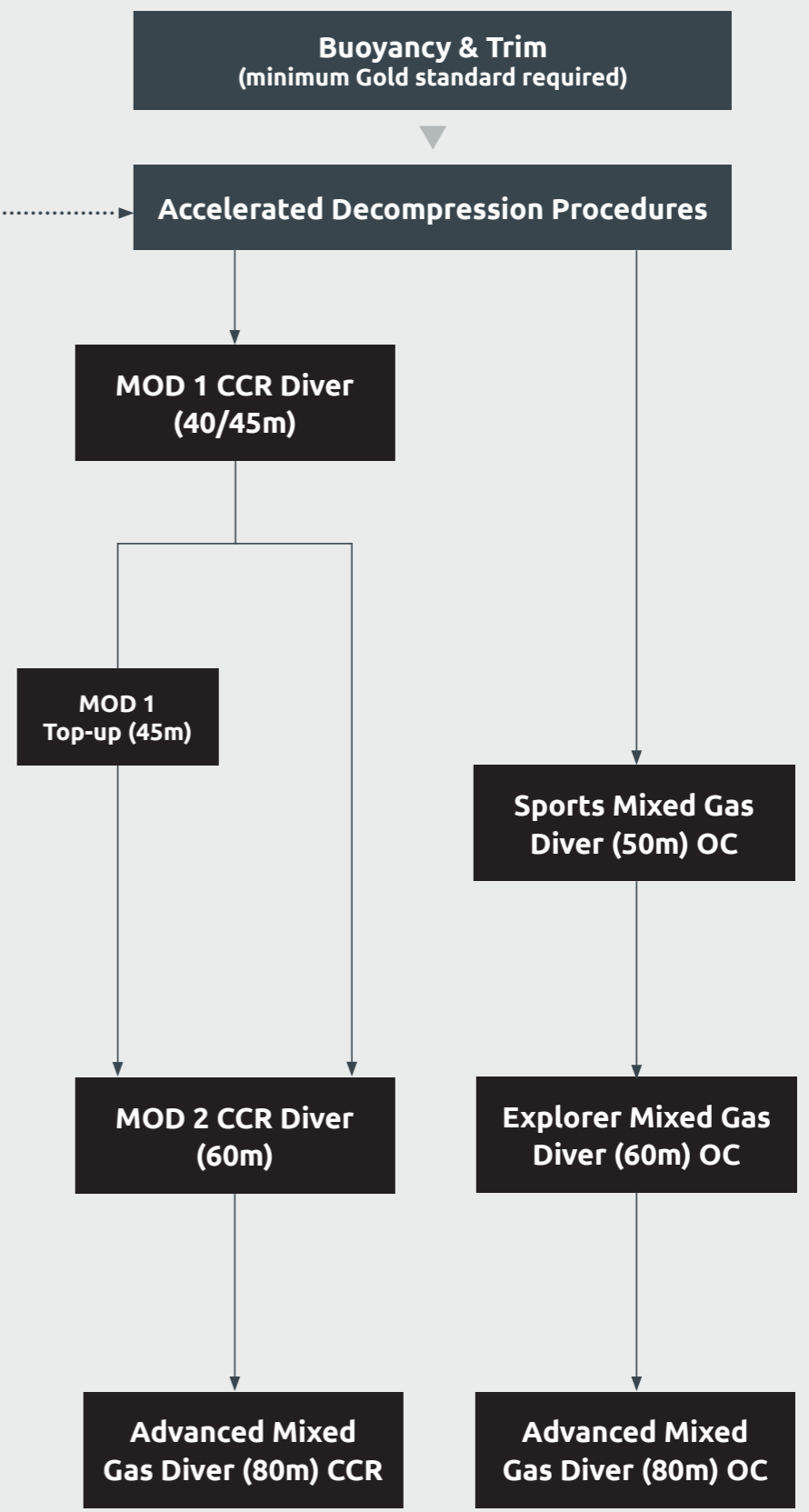


Skill Development Courses (SDCs)

- Anyone can do these courses...
- Boat Handling
 - Chartwork & Position Fixing
 - Compressor Operation
 - Diver Coxswain Assessment
 - Marine Life Appreciation
 - Shore Surveyor
- For Ocean Diver (or equivalent) and above...
- Automated External Deibrillator
 - Buoyancy and Trim
 - Diving for All Awareness
 - Drysuit Training
 - First Aid for Divers
 - Lifesaver Award
 - Nitrox Gas Blender / Mixed Gas Blender
 - Ocean Diver Nitrox Workshop
 - Oxygen Administration
 - RNLI Diver Sea Survival
 - Wreck Appreciation
- For Sports Diver (or equivalent) and above...
- Accelerated Decompression Procedures
 - Advanced Lifesaver Award
 - Advanced Twin Set Diver
 - Advanced Wreck Diver
 - Dive Planning and Management
 - Ice Diving
 - Practical Rescue Management
 - Primary Donate Workshop
 - Search and Recovery
 - Sports Diver Nitrox Workshop
 - Twin Set Diver
 - Underwater Photography



Instructor Training Scheme (ITS)



Technical Diving Courses

